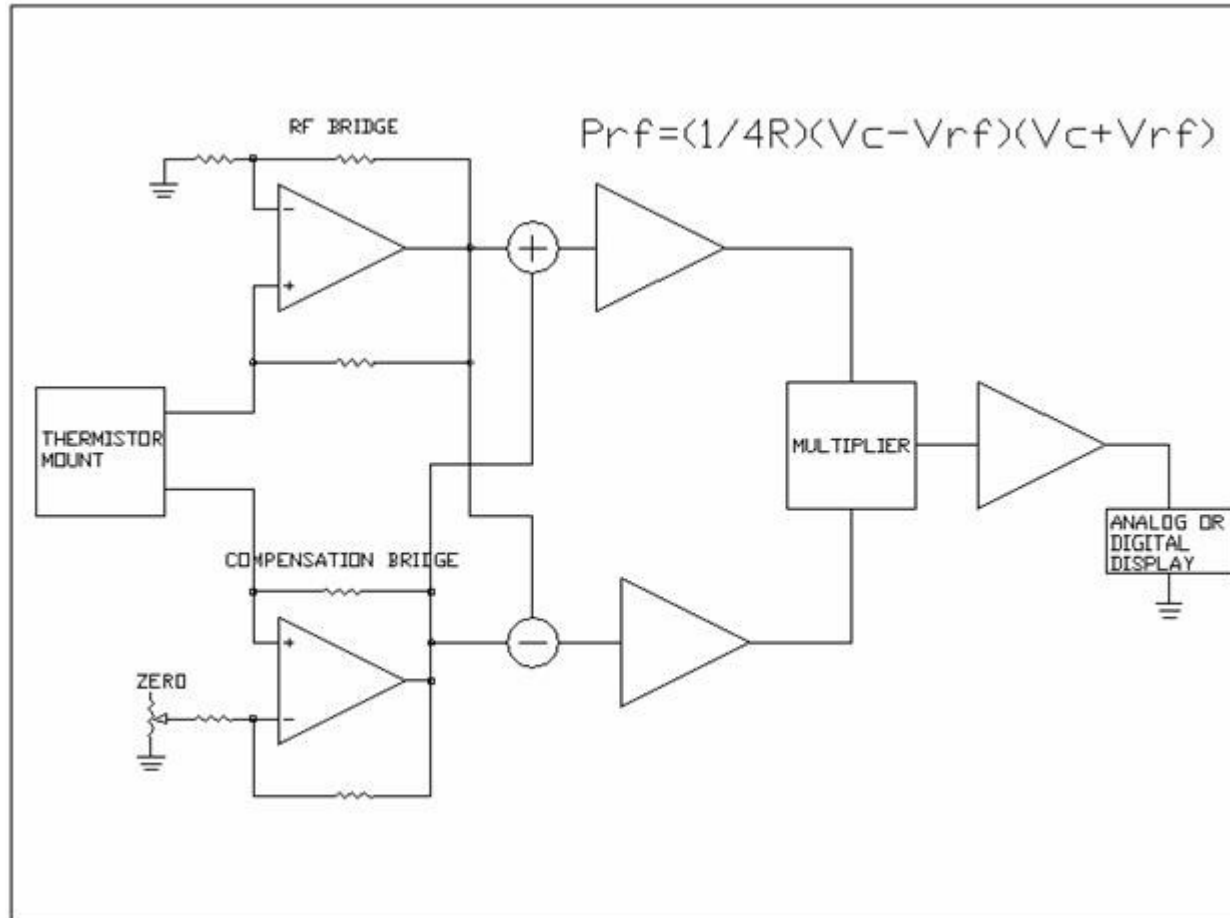
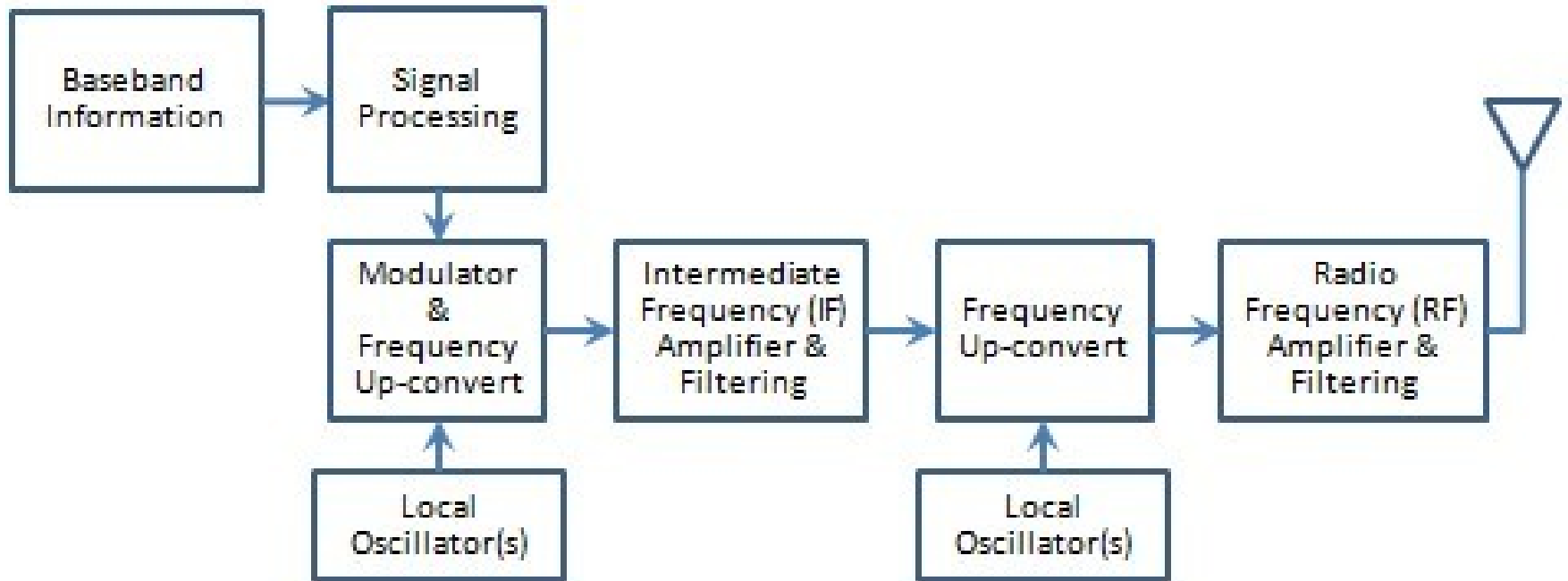


# R.F Power Measurement



# Block Diagram



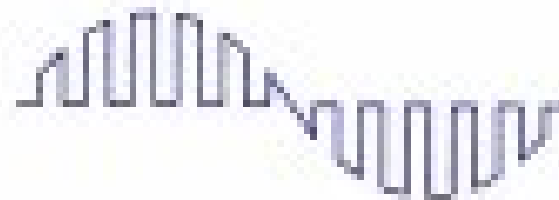
# Chopper Amplifier



Block Diagram



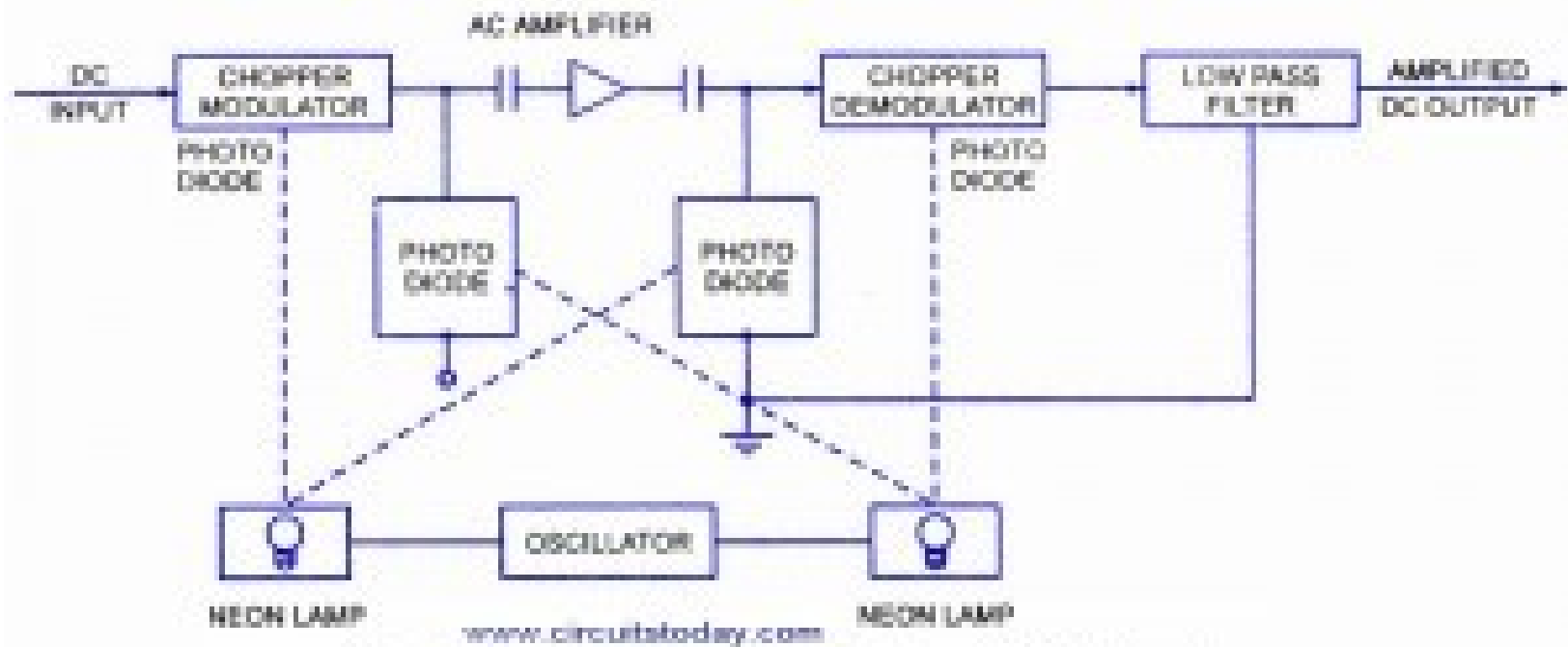
FET Chopper



Chopped Low Frequency AC Signal

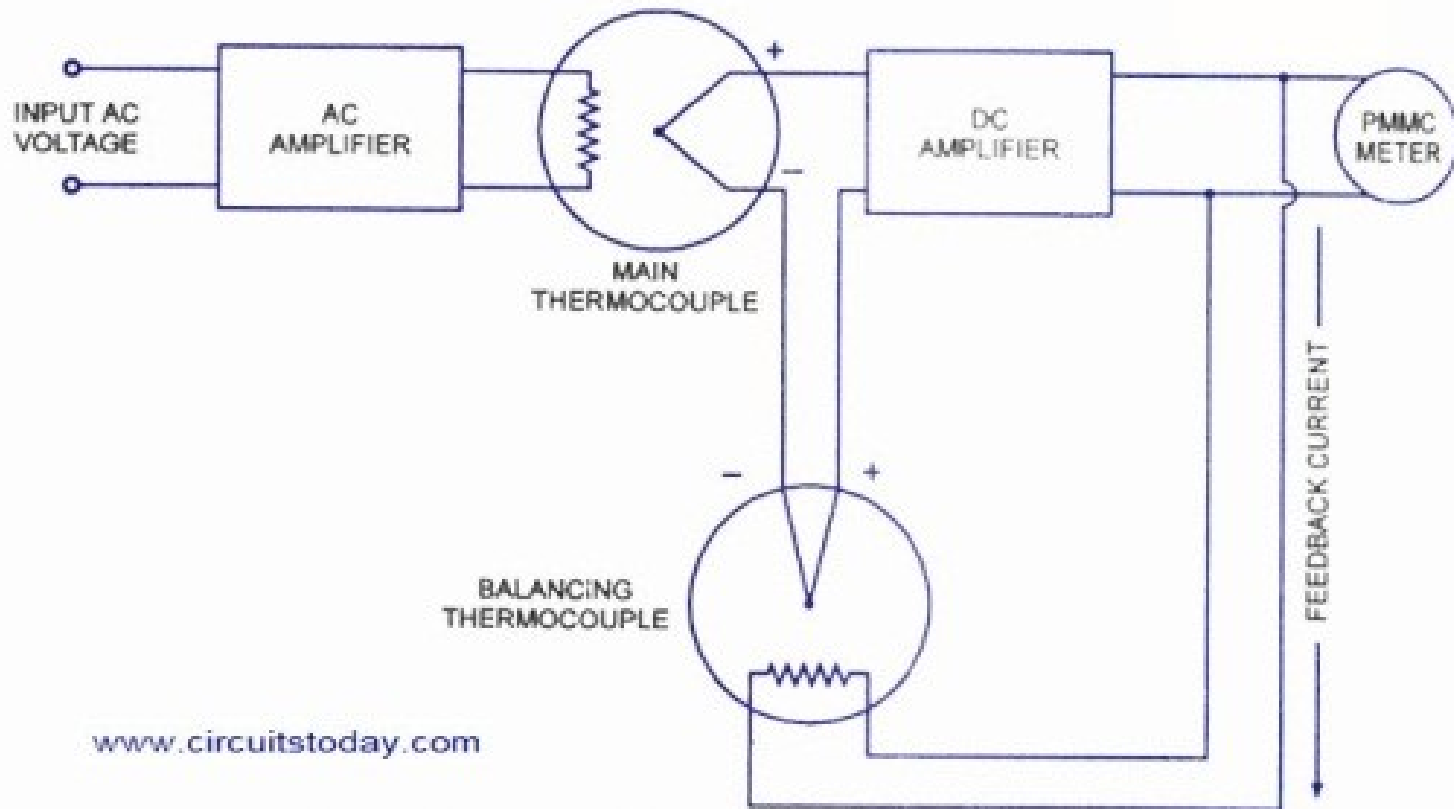
Chopper Amplifier

# Chopper Amplifier Voltmeter



*Circuit Diagram of Chopper Type DC Voltmeter*

# True RMS Reading Voltmeter



*Block Diagram of True RMS Reading Voltmeter*

# Peak Reading Meter

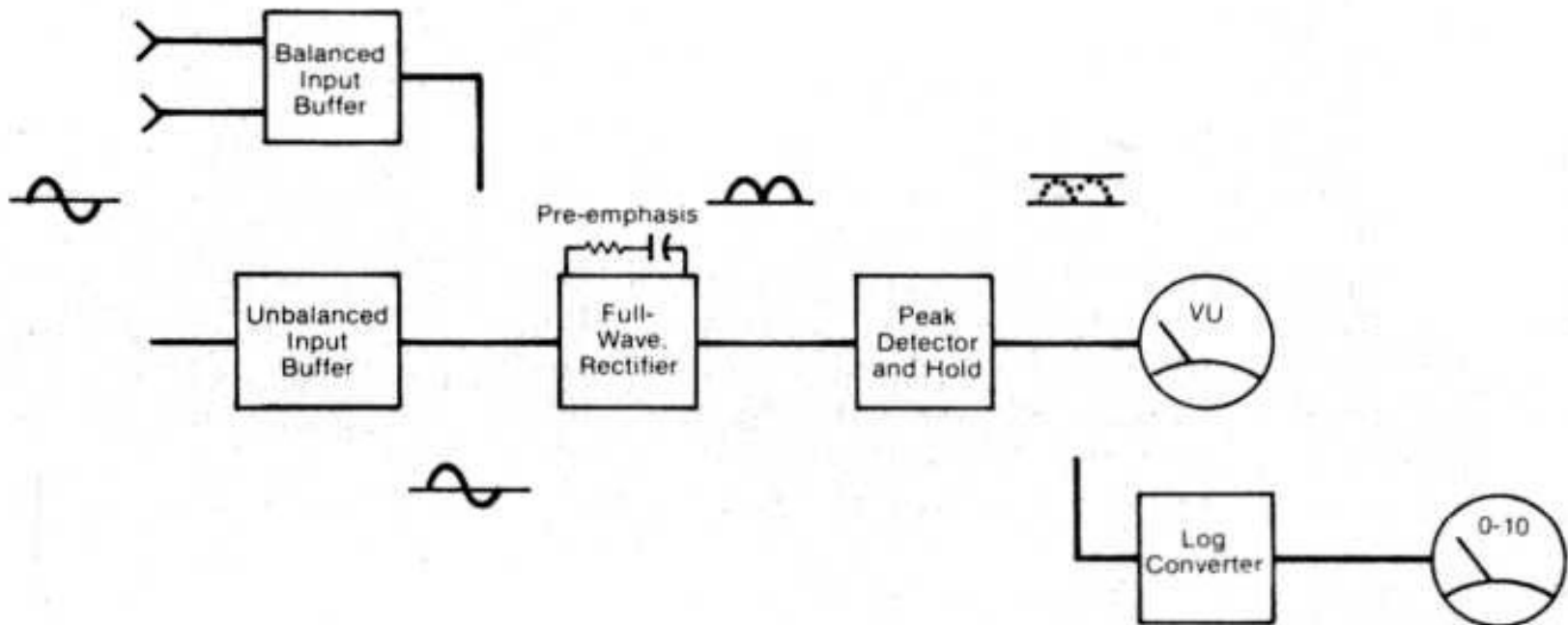
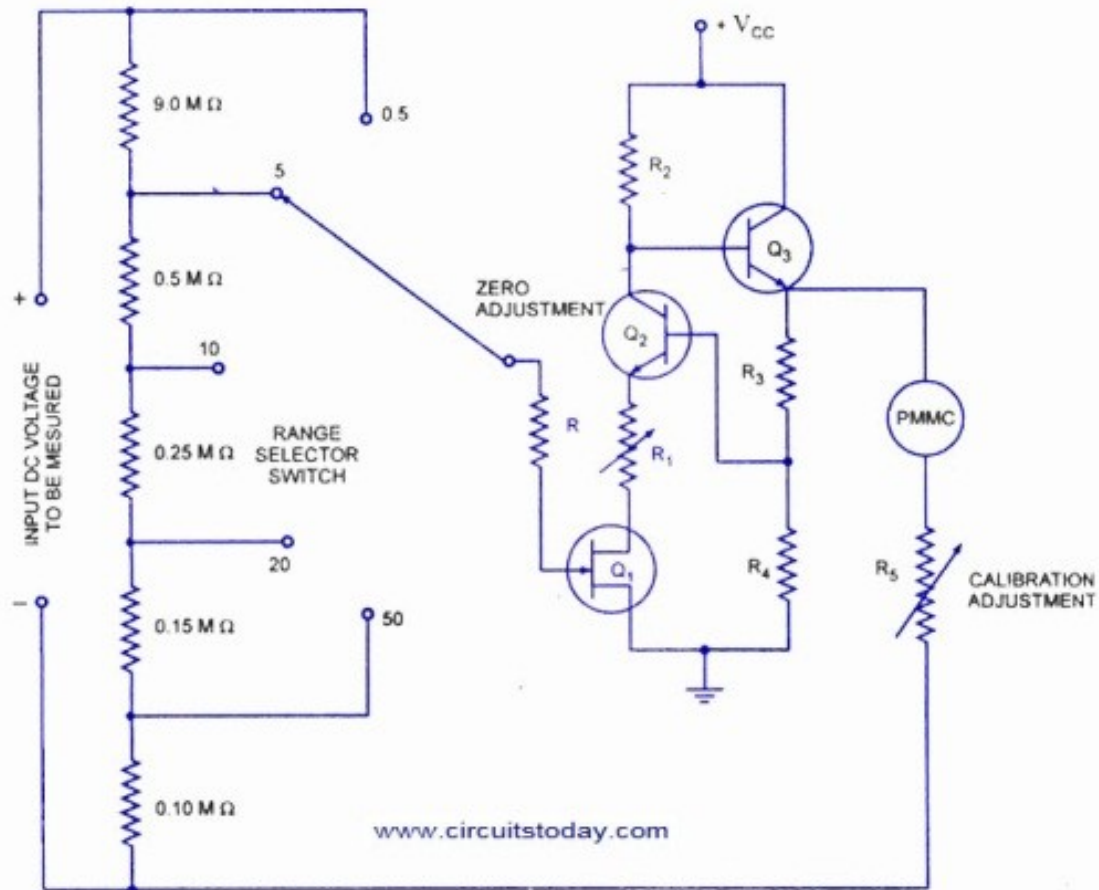


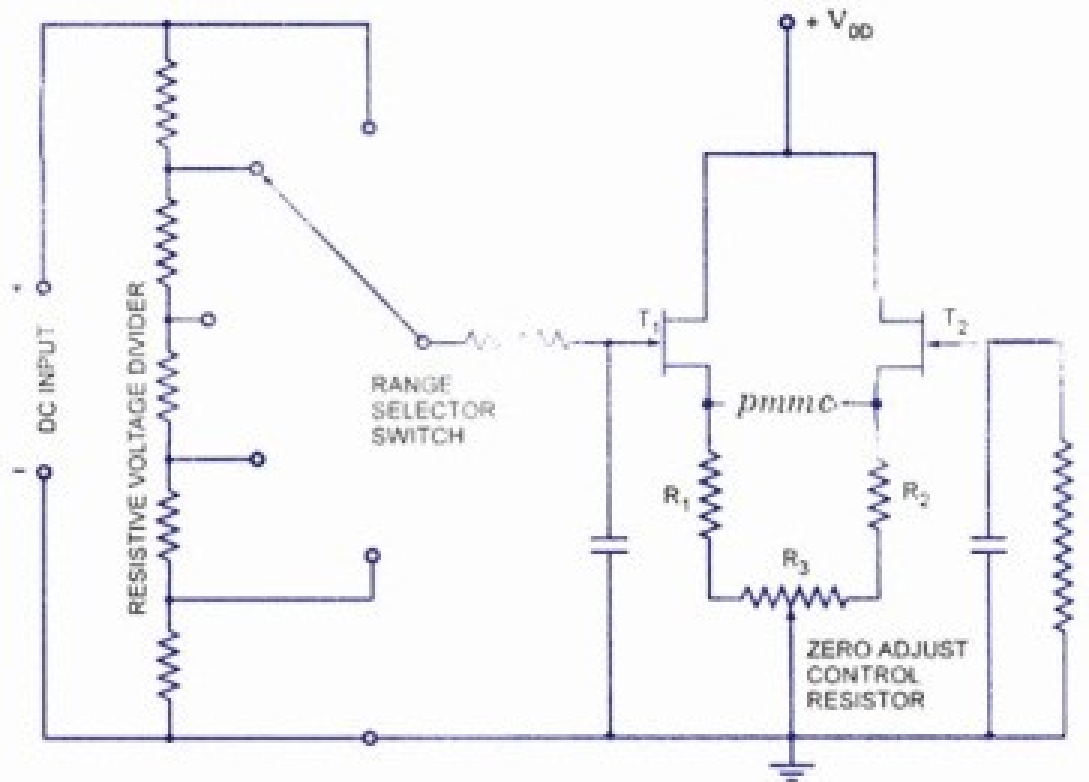
Figure 1: Block diagram of peak-reading meter, with choice of unbalanced or balanced inputs

# Electronic Multimeter



*Direct Coupled Amplifier Transistorized DC Voltmeter Using FET*

# Balanced Bridge Configuration



*Balanced-Bridge DC Amplifier With input Attenuator and Indicating Meter*